

PARTS LIST

[KD-SH99]

* All printed circuit boards and its assemblies are not available as service parts.

<p>Area suffix</p> <p>J ----- Northern America</p>
--

- Contents -

Exploded view of general assembly and parts list	3- 2
CD mechanism assembly and parts list	3- 5
Electrical parts list	3- 8
Packing materials and accessories parts list	3-16

■ Parts list (General assembly)

Block No. M1MM

△	Item	Parts number	Parts name	Q'ty	Description	Area
	1	-----	CD MECHA (1325)	1		
	2	QYSDST2004Z	SCREW	1		
	3	LV40847-002A	SPACER	1		
	4	LV10461-001A	TOP CHASSIS	1		
	5	LV32559-003A	FRONT CHASSISS	1		
	6	LV40828-003A	BLIND	1		
	7	LV42419-001A	LENS SHEET	1		
	8	LV40846-017A	SPACER(F)	1		
	9	WJT0057-001A	E CARD WIRE	1		
	10	LV32451-001A	SIDE HEAT SINK	1		
	11	LV32452-002A	INSULATOR	1		
	12	QYSDST2604Z	SCREW	3	T.CHAS+CD MECHA	
	13	QYSDSF2610Z	TAPPING SCREW	1	T.CHAS+S HEAT S	
	14	LV41200-003A	SPECIAL SCREW	3	T.CHAS+S HEAT S	
	15	LV41200-003A	SPECIAL SCREW	1	T.CHASS+REAR	
	16	QYSDST2604Z	SCREW	5	T.CHAS+B.CHASS	
	17	QYSDST2604Z	SCREW	2	T.CHAS+R.BKT	
	18	LV41200-001A	SPECIAL SCREW	1	BOTTOM CHA.+REA	
	19	QYSPSP2003M	SCREW	2	T.CHAS+F.COVER	
	20	LV41200-001A	SPECIAL SCREW	2	MAIN PWB+BOTTOM	
	21	LV10463-001A	BOTTOM CHASSIS	1		
	22	LV32453-001A	FPC GUIDE	1		
	23	LV20929-001A	GUIDE RAIL(L)	1		
	24	LV20930-001A	GUIDE RAIL(R)	1		
	25	LV42239-001A	S PLATE(L) ASSY	1		
	26	LV42240-001A	S PLATE(R) ASSY	1		
	27	LV42104-001A	DETECT PLATE	1		
	28	QYSPSPU1725M	SCREW	2	DET.PL+S.PL(L)	
	29	LV32569-003A	A BKT ASS'Y(L)	1		
	30	LV32570-001A	A BKT ASS'Y(R)	1		
	31	LV42112-001A	TENS SPG(L)	2		
	32	LV32459-001A	ROD GEAR(SH)	1		
	33	QYWFL259013-0	WASHER	2	FOR ROD GEAR	
	34	LV32530-001A	GUIDE BLOCK(R)	1		
	35	LV32531-001A	GUIDE BLOCK(L)	1		
	36	LV32460-001A	MOTOR BKT ASS'Y	1		
	37	QAR0182-001	MOTOR(FEED)	1		
	38	QYSPSPT2020Z	MINI SCREW	2	MOTOR+MOTOR BKT	
	39	LV40847-002A	SPACER	1		
	40	WJM0204-001A	E-SI C WIRE C-F	1		
	41	LV42455-001A	SHAFT	1		
	42	LV42437-001A	ROTOR	1		
	43	LV42436-001A	WORM GEAR	1		
	44	LV42115-002A	GEAR S1	1		
	45	LV42116-002A	GEAR S2	1		
	46	LV42117-001A	GEAR S3	1		
	47	LV42118-002A	GEAR S4	1		
	48	LV42119-001A	GEAR S5	1		

■ Parts list(General assembly)

Block No. M1MM

△	Item	Parts number	Parts name	Q'ty	Description	Area
	49	WDM215025	WASHER	5	FOR GEAR S1-S5	
	50	WDM214540	WASHER	1	FOR CLUTCH ASSY	
	51	LV30981-005A	CLUTCH ASS'Y	1		
	52	QYWFL266010-9	WASHER	1	FOR CLUTCH	
	53	LV32558-001A	FRONT BKT ASSY	1		
	54	LV42394-001A	ABSORBER	1		
	55	LV40846-015A	SPACER(F)	1		
	56	LV40846-018A	SPACER(F)	1		
	57	LV40846-022A	SPACER(F)	1		
	58	LV20933-002A	CONNECTOR COVER	1		
	59	LV40846-018A	SPACER(F)	1		
	60	LV42534-001A	CONNECT PTN	2		
	61	QYSPSPU1730M	SCREW	1		
	62	LV32461-001A	REINFORCE PLATE	1		
	63	QYSPSP2003M	SCREW	2		
	64	LV32462-001A	OPEN LEVER	1		
	65	LV42122-001A	TORSION SPRING	1	FOR OPEN LEVER	
	66	LV32463-001A	DETACH LEVER	1		
	67	LV42123-001A	DTCH LVR SHAFT	1		
	68	LV42124-001A	TORSION SPRING	1	FOR DTCH LEVER	
	69	QAL0314-002	FPC	1		
	70	LV42420-001A	FPC SHEET	1		
	71	LV40865-001A	MINI SCREW	1	FPC GUIDE+BOT.C	
	72	LV40865-001A	MINI SCREW	3	G.RAIL(L)+BOT.C	
	73	LV40865-001A	MINI SCREW	3	G.RAIL(R)+BOT.C	
	74	LV40865-001A	MINI SCREW	2	DET.SW PWB+BO.C	
	75	LV40865-001A	MINI SCREW	2	ARM BKT(L)+BO.C	
	76	LV40865-001A	MINI SCREW	2	ARM BKT(R)+BO.C	
	77	LV40865-001A	MINI SCREW	2	MOTOR BKT+BOT.C	
	78	LV42181-002A	SPECIAL SCREW	4	ARM+PANEL BKT	
	79	LV10464-002A	FRONT PANEL	1		
	80	LV40848-023A	SPACER(P)	2		
	81	LV32464-007A	AL PANEL	1		
	82	LV10465-001A	REAR COVER	1		
	83	LV42127-005A	EARTH SPRING R	1		
	84	QYSPSPU1730M	SCREW	1	FOR E.SPRING	
	85	LV20934-001A	PRESET BUTTON	1		
	86	LV42456-001A	SW PWB SHEET	1		
	87	LV42457-001A	BUTTON SHEET	6		
	88	LV40848-024A	SPACER(P)	2		
	89	LV32557-001A	PUSH BUTTON(L)	1		
	90	LV32466-001A	PUSH BUTTON(R)	1		
	91	LV20936-001A	D.FUNC BUTTON	1		
	92	LV32467-002A	DETACH BUTTON	1		
	93	LV42128-001A	COMP. SPRING	1		
	94	LV42129-001A	REMOTE LENS	1		
	95	LV20937-005A	FINDER	1		
	96	LV32797-001A	VOL.KNOB ASS'Y	1		

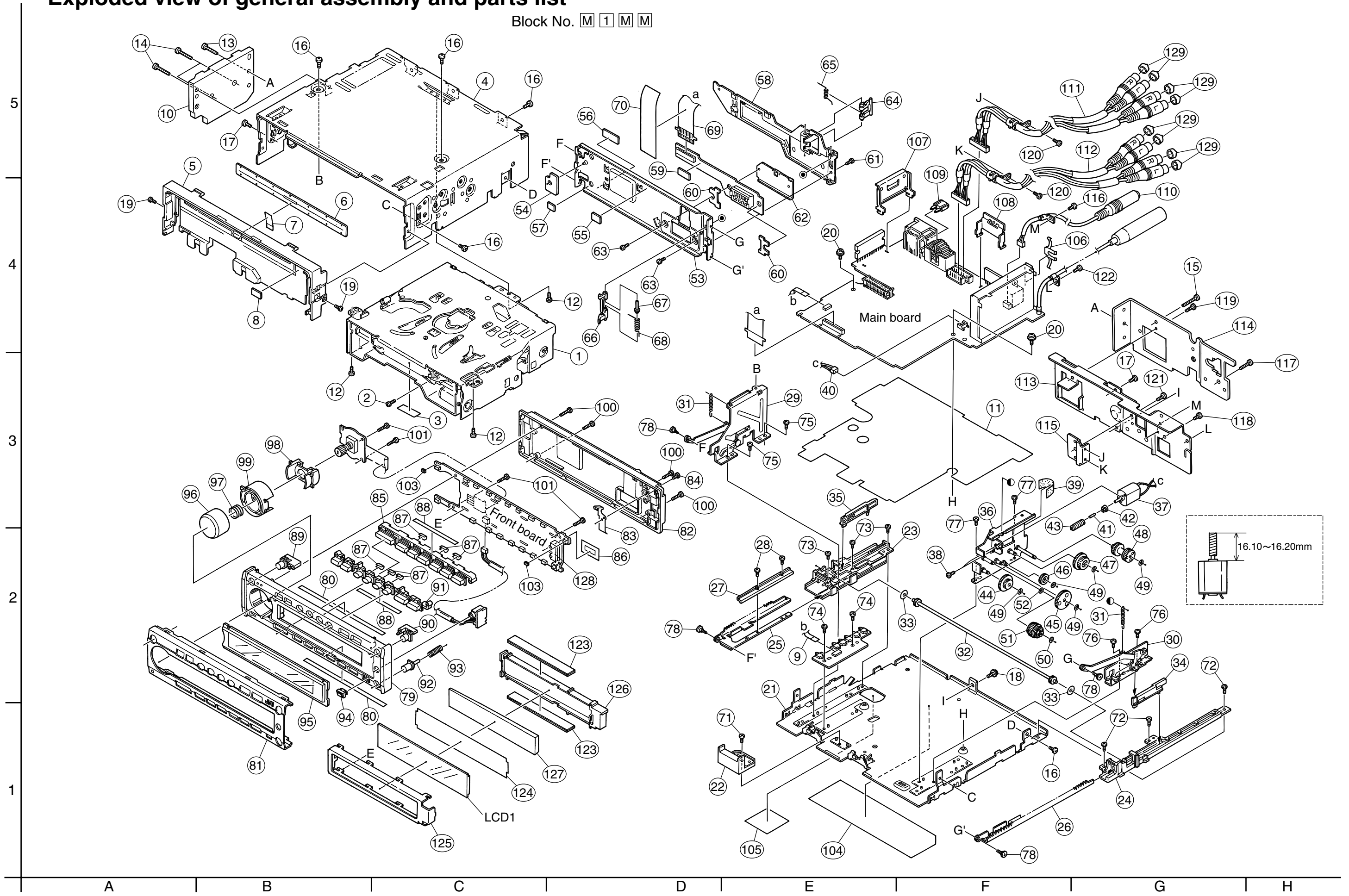
■ Parts list (General assembly)

Block No. M1MM

△	Item	Parts number	Parts name	Q'ty	Description	Area
	97	LV42386-001A	COMP.SPRING	1		
	98	LV32469-001A	RING LENS	1		
	99	LV32556-002A	VOL.RING	1		
	100	VKZ4777-001	MINI SCREW	4	F.PANEL+REAR CV	
	101	VKZ4777-001	MINI SCREW	4	F.PANEL+SW.PWB	
	103	LV40846-016A	SPACER(F)	2		
	104	LV32614-001A	NAME PLATE	1		
	105	LV41143-001A	SHEET	1		
	106	VMA4652-001SS	EARTH PLATE	1		
	107	LV42297-001A	IC BRACKET	1		
	108	LV41993-001A	REG BKT	1		
△	109	QMFZ039-150-T	FUSE	1		
	110	QAM0237-001	CAR CABLE	1		
	111	QAM0178-001	PIN PLUG CORD	1		
	112	QAM0179-001	CAR CABLE	1		
	113	LV30943-202A	REAR BRACKET	1		
	114	LV30946-006A	REAR HEAT SINK	1		
	115	LV40790-002A	PIN CORD BRKT	1		
	116	QYSDST2604Z	SCREW	1	ANT.+REAR.BKT	
	117	LV41200-003A	SPESIAL SCREW	1	REG.BKT+REAR.BK	
	118	QYSDST2606Z	SCREW	1	CHANGER CO.+REA	
	119	QYSDST2606Z	SCREW	1	REAR HEAT SINK+	
	120	QYSDST2604Z	SCREW	2	CORD BKT+PIN CO	
	121	QYSDST2604Z	SCREW	1	CORD BKT+REAR B	
	122	QYSDST2604Z	SCREW	1	VCR+REAR.BKT	
	123	QNZ0510-001	RUBBER CONNEC	2		
	124	LV42101-001A	LCD FILTER	1		
	125	LV32447-001A	LCD CASE	1		
	126	LV32446-001A	LIGHTING CASE	1		
	127	LV32448-001A	LIGHTING LENS	1		
	128	LV32449-001A	LED HOLDER	1		
	129	VYTA500-001	PIN CAP	8		
	LCD 1	QLD0168-001	LCD MODULE	1		

Exploded view of general assembly and parts list

Block No. **M 1 M M**

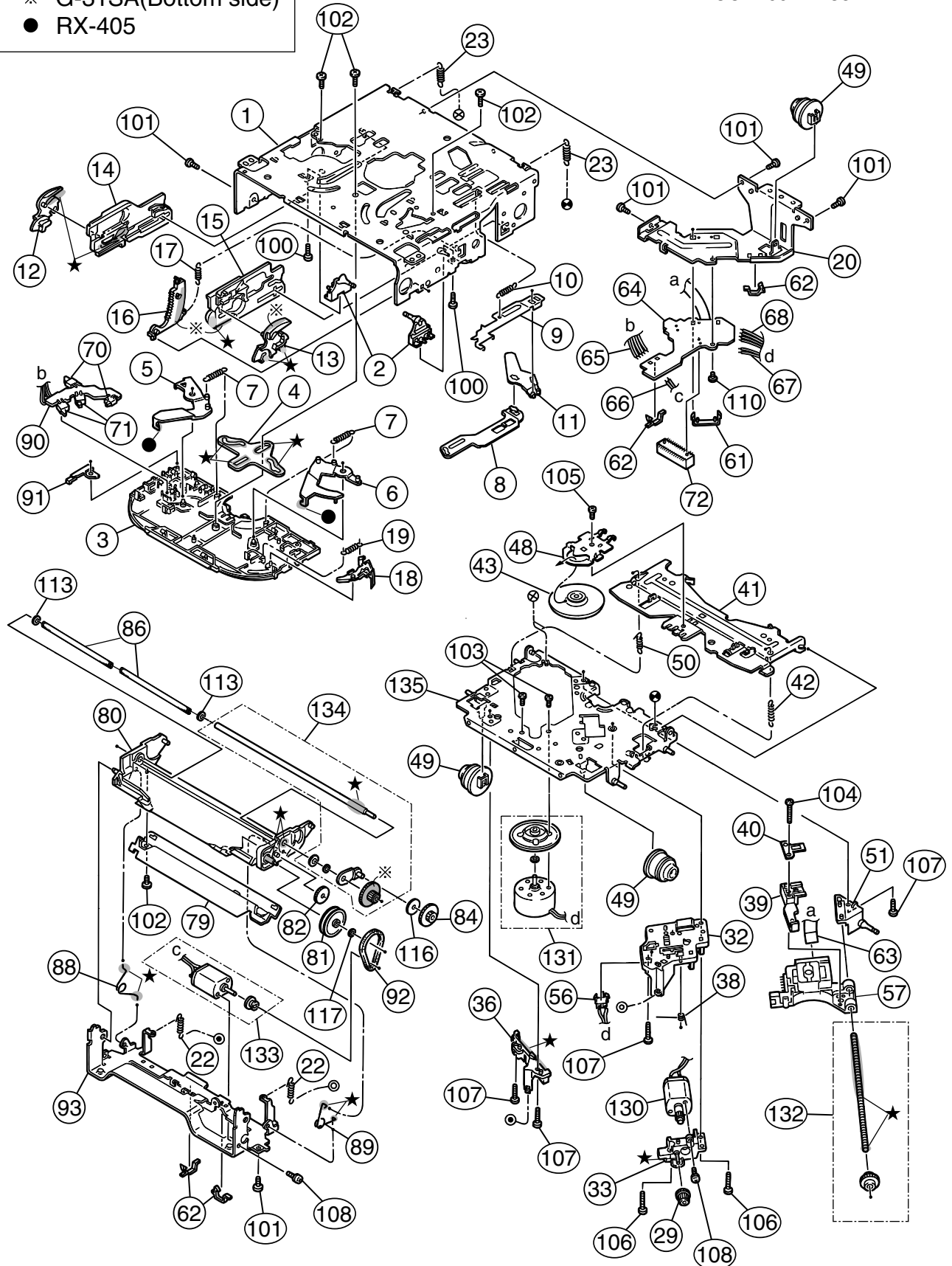


CD mechanism assembly and parts list

- Grease
- ★ G-31SA
 - ※ G-31SA(Bottom side)
 - RX-405

Block No. M 2 M M

TN-CCD1001Z-138



■ Parts list (CD mechanism)

Block No. M2MM

△	Item	Parts number	Parts name	Q'ty	Description	Area
	1	30310101T	FRAME	1		
	2	30310103T	DANPER PIN	2		
	3	30310107T	UPPER PLATE	1		
	4	30310108T	SEL STOP PLATE	1		
	5	30310142T	SEL ARM (L)L	1		
	6	30310143T	SEL ARM (R)L	1		
	7	30310145T	S ARM SPRING(L)	2		
	8	30310112T	TRIG LEVER	1		
	9	30310155T	TRIG PL(Z)	1		
	10	30310115T	TRIG PL SPRING	1		
	11	30310116T	TRIG ARM	1		
	12	30310134T	FIX ARM (L)B	1		
	13	30310159T	FIX ARM (R)Z	1		
	14	30310150T	FIX PL (L)Z	1		
	15	30310156T	FIX PL (R) Z	1		
	16	30310138T	LDG GR (6)B	1		
	17	30310122T	LDG GEAR (6)SP	1		
	18	30310148T	S.L ARM(N)	1		
	19	30310125T	S.L ARM SPRING	1		
	20	30310149T	REAR DAM BKT(Z)	1		
	22	30310151T	HUNG UP SP (FZ)	2		
	23	30310129T	HUNG UP SP (R)	2		
	29	30300510T	PU GEAR(B)	1		
	32	30310544T	F.M.BASE(Z)	1		
	33	30310547T	FD GR BLK(Z)	1		
	36	30310546T	PU GUIDE(Z)	1		
	38	30310533T	THRUST SPR(M)	1		
	39	30310577T	PU M NUT(Z-S)	1		
	40	30310512T	NUT PUSH SPR PL	1		
	41	30310558T	CLP ARM(Z)	1		
	42	30310514T	CLP ARM SPRING	1		
	43	30310552T	CLAMPER(Z)	1		
	48	30310557T	CLAMPER PLATE(Z)	1		
	49	30310524T	DAMPER (J)	3		
	50	30310525T	CLP ARM SPR (L)	1		
	51	30310545T	F SCREW GUIDE(Z)	1		
	56	64180405T	DET SW	1	ESE11SF4	
	57	QAL0230-001	C.D PICK (SONY)	1		
	61	30311035T	FPC HOLDER(Z)	1		
	62	19501403T	WIRE CLAMPER	4		
	63	30311045T	PICK UP FPC(Z-S)	1		
	64	30311044T	CONNECT.PCB(Z-S)	1		
	65	30311038T	WIRE (5P-Z)	1		
	66	30311039T	WIRE (LD-Z)	1		
	67	30311040T	WIRE (FD-Z)	1		
	68	30311041T	WIRE (RS-Z)	1		
	70	64180402T	DET SWITCH	2	ESE22MH1	
	71	64180403T	DET SWITCH	2	ESE22MH3	

Parts list (CD mechanism)
Block No. M2MM

△	Item	Parts number	Parts name	Q'ty	Description	Area
	72	68150232T	CONNECTOR	1	TKC-W26X-C1	
	79	30311105T	SOPPORT PLATE	1		
	80	30311138T	GR MT BLK(N)	1		
	81	30311109T	LDG GEAR (2)	1		
	82	30311110T	LDG GEAR (3)	1		
	84	30311112T	LDG GEAR (5)	1		
	86	30311136T	LDG ROLLER	2		
	88	30311118T	L.P SPRING (L)	1		
	89	30311119T	L.P SPRING (R)	1		
	90	30311123T	SW PCB	1		
	91	30311124T	SW ACTUATOR	1		
	92	30311129T	LDG BELT	1		
	93	30311140T	FRONT BRKT (J)	1		
	100	9C0620503T	C B TAP SCREW	2	M2X5	
	101	9C2020401T	C SCREW TS.G	5	M2X4	
	102	9C4320403T	C B TAP SCREW	4	M2X4	
	103	9C0117223T	SCREW	2	M1.7X2.2	
	104	9C0917703T	C TAP SCREW S3	1	M1.7X7	
	105	9C0320201T	C TAP SCREW S3	1	M2X2	
	106	9C4920013T	C TAP SCREW S3	2	M2X10	
	107	9C4920603T	C TAP SCREW B3	4	M2X6	
	108	9P0220031T	TAMS SCREW	2	M2X3	
	110	9C0420253	C TAP SCREW	1	M2X2.5	
	113	9W0330276	NW BLUE	2	2.9X5X0.3	
	116	9W0725030T	LUMILAR W	1	2.3X9.8X0.25	
	117	9W0640030T	WASHER	1	1.4X3.2X0.4	
	130	303105310T	FEED MO ASSY	1		
	131	303105311T	SPINDLE MO ASSY	1		
	132	303105312T	FEED SCREW ASSY	1		
	133	303111301T	LDG MOTOR ASSY	1		
	134	303111302T	RDG RLR SFT ASY	1		
	135	303105502T	T.T.BASE ASSY	1		

■ Electrical parts list (Main board)

Block No. 01

△	Item	Parts number	Parts name	Remarks	Area
	BZ791	QAN0009-001Z	BUZZER		
	C 1	NCB31EK-473X	C CAPACITOR		
	C 2	QERF1CM-476Z	E CAPACITOR	47MF 20% 16V	
	C 3	NCB31HK-103X	C CAPACITOR		
	C 4	QERF1CM-476Z	E CAPACITOR	47MF 20% 16V	
	C 5	QERF1AM-107Z	E CAPACITOR	100MF 20% 10V	
	C 7	QERF1AM-227Z	E CAPACITOR	220MF 20% 10V	
	C 8	NCB31HK-103X	C CAPACITOR		
	C 9	QERF1AM-107Z	E CAPACITOR	100MF 20% 10V	
	C 10	NCB31EK-473X	C CAPACITOR		
	C 21	NCB31HK-103X	C CAPACITOR		
	C 32	QERF1HM-104Z	E CAPACITOR	.10MF 20% 50V	
	C 44	NCB31EK-473X	C CAPACITOR		
	C 47	NCS31HJ-101X	C.CAPA. C.M		
	C 48	NCB31HK-103X	C CAPACITOR		
	C 81	QERF1EM-475Z	E CAPACITOR	4.7MF 20% 25V	
	C 82	NCS31HJ-821X	C CAPACITOR		
	C 84	NCB31HK-223X	C CAPACITOR		
	C 91	QERF1EM-475Z	E CAPACITOR	4.7MF 20% 25V	
	C 92	NCS31HJ-821X	C CAPACITOR		
	C 94	NCB31HK-223X	C CAPACITOR		
	C 99	NCB31HK-102X	C CAPACITOR		
	C 103	QERF1EM-475Z	E CAPACITOR	4.7MF 20% 25V	
	C 110	NBE21CM-105X	C.CAPA. C.M		
	C 112	NBE21CM-105X	C.CAPA. C.M		
	C 120	NCB31AK-224X	C CAPACITOR		
	C 141	QERF1HM-105Z	E CAPACITOR	1.0MF 20% 50V	
	C 142	QERF1HM-105Z	E CAPACITOR	1.0MF 20% 50V	
	C 143	NCS31HJ-101X	C.CAPA. C.M		
	C 144	NCS31HJ-101X	C.CAPA. C.M		
	C 161	QERF1HM-105Z	E CAPACITOR	1.0MF 20% 50V	
	C 162	QERF1CM-226Z	E CAPACITOR	22MF 20% 16V	
	C 163	NCB21EK-473X	C CAPACITOR		
	C 164	QERF1HM-224Z	E CAPACITOR	.22MF 20% 50V	
	C 172	QERF1CM-106Z	E CAPACITOR	10MF 20% 16V	
	C 173	QERF0JM-226Z	E CAPACITOR	22MF 20% 6.3V	
	C 174	NCB21EK-223X	C CAPACITOR		
	C 175	QERF0JM-476Z	E CAPACITOR	47MF 20% 6.3V	
	C 203	QERF1EM-475Z	E CAPACITOR	4.7MF 20% 25V	
	C 210	NBE21CM-105X	C.CAPA. C.M		
	C 212	NBE21CM-105X	C.CAPA. C.M		
	C 220	NCB31AK-224X	C CAPACITOR		
	C 241	QERF1HM-105Z	E CAPACITOR	1.0MF 20% 50V	
	C 242	QERF1HM-105Z	E CAPACITOR	1.0MF 20% 50V	
	C 243	NCS31HJ-101X	C.CAPA. C.M		
	C 244	NCS31HJ-101X	C.CAPA. C.M		
	C 272	QERF1CM-106Z	E CAPACITOR	10MF 20% 16V	
	C 273	QERF0JM-226Z	E CAPACITOR	22MF 20% 6.3V	
	C 301	QERF1EM-475Z	E CAPACITOR	4.7MF 20% 25V	
	C 302	QERF1EM-475Z	E CAPACITOR	4.7MF 20% 25V	
	C 303	QERF1CM-476Z	E CAPACITOR	47MF 20% 16V	
	C 304	NCB31HK-103X	C CAPACITOR		
	C 305	QERF1EM-475Z	E CAPACITOR	4.7MF 20% 25V	
	C 306	QERF1EM-475Z	E CAPACITOR	4.7MF 20% 25V	
	C 307	QERF1AM-107Z	E CAPACITOR	100MF 20% 10V	
	C 308	QERF1EM-475Z	E CAPACITOR	4.7MF 20% 25V	
	C 309	QERF1EM-475Z	E CAPACITOR	4.7MF 20% 25V	
	C 310	QERF1AM-107Z	E CAPACITOR	100MF 20% 10V	
	C 321	QERF1CM-106Z	E CAPACITOR	10MF 20% 16V	
	C 323	QERF1CM-476Z	E CAPACITOR	47MF 20% 16V	
	C 325	QERF1HM-225Z	E CAPACITOR	2.2MF 20% 50V	
	C 327	NCB31CK-823X	C CAPACITOR		
	C 328	NCB31HK-682X	C CAPACITOR		

△	Item	Parts number	Parts name	Remarks	Area
	C 329	QERF1HM-225Z	E CAPACITOR	2.2MF 20% 50V	
	C 330	NCB31HK-123X	C CAPACITOR		
	C 331	NCB31HK-562X	C CAPACITOR		
	C 332	NCB31EK-273X	C CAPACITOR		
	C 333	NCB31EK-273X	C CAPACITOR		
	C 334	NCB31EK-333X	C CAPACITOR		
	C 336	NCB31EK-473X	C CAPACITOR		
	C 337	NCB31EK-473X	C CAPACITOR		
	C 350	QERF1HM-225Z	E CAPACITOR	2.2MF 20% 50V	
	C 351	QERF1HM-225Z	E CAPACITOR	2.2MF 20% 50V	
	C 401	QERF1EM-475Z	E CAPACITOR	4.7MF 20% 25V	
	C 402	QERF1EM-475Z	E CAPACITOR	4.7MF 20% 25V	
	C 403	QERF1CM-476Z	E CAPACITOR	47MF 20% 16V	
	C 404	NCB31HK-103X	C CAPACITOR		
	C 405	QERF1EM-475Z	E CAPACITOR	4.7MF 20% 25V	
	C 406	QERF1EM-475Z	E CAPACITOR	4.7MF 20% 25V	
	C 407	QERF1AM-107Z	E CAPACITOR	100MF 20% 10V	
	C 408	QERF1EM-475Z	E CAPACITOR	4.7MF 20% 25V	
	C 409	QERF1EM-475Z	E CAPACITOR	4.7MF 20% 25V	
	C 410	QERF1AM-107Z	E CAPACITOR	100MF 20% 10V	
	C 450	QERF1HM-225Z	E CAPACITOR	2.2MF 20% 50V	
	C 451	QERF1HM-225Z	E CAPACITOR	2.2MF 20% 50V	
	C 601	NCS31HJ-7R0X	C CAPACITOR		
	C 602	NCS31HJ-7R0X	C CAPACITOR		
	C 603	NCF31CZ-104X	C CAPACITOR		
	C 604	NCB31CK-104X	C CAPACITOR		
	C 605	NCF31CZ-104X	C CAPACITOR		
	C 606	NCB31HK-103X	C CAPACITOR		
	C 609	NBE21AM-106X	E CAPACITOR		
	C 610	NCF31CZ-104X	C CAPACITOR		
	C 611	NCF31CZ-104X	C CAPACITOR		
	C 612	NCF31CZ-104X	C CAPACITOR		
	C 613	NCF31CZ-104X	C CAPACITOR		
	C 614	NCF31CZ-104X	C CAPACITOR		
	C 615	NCF31CZ-104X	C CAPACITOR		
	C 616	NCF31CZ-104X	C CAPACITOR		
	C 617	NCF31CZ-104X	C CAPACITOR		
	C 618	NCF31CZ-104X	C CAPACITOR		
	C 619	NCF31CZ-104X	C CAPACITOR		
	C 620	NCB31HK-103X	C CAPACITOR		
	C 621	NCB31CK-104X	C CAPACITOR		
	C 622	NCF31CZ-104X	C CAPACITOR		
	C 623	NCB31CK-104X	C CAPACITOR		
	C 624	NCB31HK-102X	C CAPACITOR		
	C 625	NBE41AM-226X	E CAPACITOR		
	C 626	NCB31HK-103X	C CAPACITOR		
	C 627	NCB31CK-104X	C CAPACITOR		
	C 628	NCS31HJ-4R0X	C CAPACITOR		
	C 629	NCS31HJ-120X	C.CAPA. C.M		
	C 630	NCS31HJ-220X	C CAPACITOR		
	C 631	NCS31HJ-560X	C CAPACITOR		
	C 632	NCS31HJ-270X	C CAPACITOR		
	C 633	NCB31CK-104X	C CAPACITOR		
	C 634	NBE41AM-226X	E CAPACITOR		
	C 635	NCB31HK-103X	C CAPACITOR		
	C 636	NEA70JM-107X	E.CAPACITOR		
	C 637	NCB31HK-103X	C CAPACITOR		
	C 638	NCB31HK-103X	C CAPACITOR		
	C 639	NCB31HK-103X	C CAPACITOR		
	C 640	NCF31CZ-104X	C CAPACITOR		
	C 641	NBE41AM-226X	E CAPACITOR		
	C 642	NCB31HK-103X	C CAPACITOR		
	C 643	NCB31HK-103X	C CAPACITOR		

■ Electrical parts list(Main board)

Block No. 01

△	Item	Parts number	Parts name	Remarks	Area	△	Item	Parts number	Parts name	Remarks	Area
	C 644	NDC31HJ-200X	C CAPACITOR				C 860	NCF31CZ-104X	C CAPACITOR		
	C 645	NDC31HJ-120X	C CAPACITOR				C 861	NDC31HJ-150X	C CAPACITOR		
	C 646	NCB31HK-682X	C CAPACITOR				C 862	NDC31HJ-150X	C CAPACITOR		
	C 647	NCB31HK-102X	C CAPACITOR				C 863	NCB31HK-103X	C CAPACITOR		
	C 650	NCF31AZ-105X	C CAPACITOR				C 864	NCF31CZ-104X	C CAPACITOR		
	C 651	NCF31AZ-105X	C CAPACITOR				C 866	NCF31CZ-104X	C CAPACITOR		
	C 652	NCF31CZ-104X	C CAPACITOR				C 876	NCB31HK-103X	C CAPACITOR		
	C 653	QERF1AM-227Z	E CAPACITOR	220MF 20% 10V			C 878	NBE21AM-475X	TS E CAPACITOR		
	C 654	NBE41AM-226X	E CAPACITOR				C 901	NCB31CK-104X	C CAPACITOR		
	C 655	NCB31HK-103X	C CAPACITOR				C 910	QERF1CM-476Z	E CAPACITOR	47MF 20% 16V	
	C 656	NBE41AM-226X	E CAPACITOR				C 911	NCB31EK-473X	C CAPACITOR		
	C 660	NCF31CZ-104X	C CAPACITOR				C 912	QERF1AM-107Z	E CAPACITOR	100MF 20% 10V	
	C 669	NCF31CZ-104X	C CAPACITOR				C 913	QERF1CM-106Z	E CAPACITOR	10MF 20% 16V	
	C 676	NCB31HK-223X	C CAPACITOR				C 914	NCB31HK-103X	C CAPACITOR		
	C 677	NDC31HJ-100X	C CAPACITOR				C 915	QERF1HM-105Z	E CAPACITOR	1.0MF 20% 50V	
	C 678	NDC31HJ-150X	C CAPACITOR				C 916	QERF1HM-105Z	E CAPACITOR	1.0MF 20% 50V	
	C 679	NCF31AZ-105X	C CAPACITOR				C 917	NCB31AK-224X	C CAPACITOR		
	C 680	NBE21AM-106X	E CAPACITOR				C 921	NCB31HK-223X	C CAPACITOR		
	C 686	NBE21AM-106X	E CAPACITOR				C 922	NCB31HK-223X	C CAPACITOR		
	C 687	NCF31CZ-104X	C CAPACITOR				C 923	NCB31HK-223X	C CAPACITOR		
	C 701	NDC31HJ-220X	C CAPACITOR				C 924	NCB31HK-223X	C CAPACITOR		
	C 702	NDC31HJ-270X	C-CAPACITOR				C 925	NCB31HK-223X	C CAPACITOR		
	C 703	NDC31HJ-270X	C-CAPACITOR				C 926	NCB31HK-223X	C CAPACITOR		
	C 704	NCS31HJ-8R0X	C CAPACITOR				C 927	NCB31HK-223X	C CAPACITOR		
	C 705	NCS31HJ-471X	C CAPACITOR				C 928	NCB31HK-223X	C CAPACITOR		
	C 707	NCB31HK-223X	C CAPACITOR				C 931	NCB21HK-103X	C CAPACITOR		
	C 708	QERF0JM-476Z	E CAPACITOR	47MF 20% 6.3V			C 941	QERF1CM-106Z	E CAPACITOR	10MF 20% 16V	
	C 710	QERF1AM-227Z	E CAPACITOR	220MF 20% 10V			C 942	NCB31AK-224X	C CAPACITOR		
	C 711	NCS31HJ-471X	C CAPACITOR				C 943	QERF1CM-106Z	E CAPACITOR	10MF 20% 16V	
	C 712	NCB31EK-473X	C CAPACITOR				C 944	QERF1HM-225Z	E CAPACITOR	2.2MF 20% 50V	
	C 713	QERF1AM-227Z	E CAPACITOR	220MF 20% 10V			C 945	QERF1CM-226Z	E CAPACITOR	22MF 20% 16V	
	C 719	NCS21HJ-471X	C CAPACITOR				C 946	NCB31CK-104X	C CAPACITOR		
	C 721	NCB31CK-104X	C CAPACITOR				C 947	NCB31CK-104X	C CAPACITOR		
	C 722	NCB31CK-104X	C CAPACITOR				C 948	NCB31CK-104X	C CAPACITOR		
	C 723	NCB31HK-103X	C CAPACITOR				C 949	NCB31CK-104X	C CAPACITOR		
	C 724	NCB31HK-103X	C CAPACITOR				C 951	NCB31CK-104X	C CAPACITOR		
	C 754	NCB31CK-104X	C CAPACITOR				C 952	QERF1CM-106Z	E CAPACITOR	10MF 20% 16V	
	C 771	NCB21EK-473X	C CAPACITOR				C 961	QE20337-228	E CAPACITOR	2200MF	
	C 791	QERF1HM-104Z	E CAPACITOR	10MF 20% 50V			C 962	QERF1HM-225Z	E CAPACITOR	2.2MF 20% 50V	
	C 803	QERF0JM-476Z	E CAPACITOR	47MF 20% 6.3V			C 964	QERF1AM-227Z	E CAPACITOR	220MF 20% 10V	
	C 804	QERF1AM-107Z	E CAPACITOR	100MF 20% 10V			C 965	QERF1AM-227Z	E CAPACITOR	220MF 20% 10V	
	C 805	NCB31HK-103X	C CAPACITOR				C 966	NCB31HK-103X	C CAPACITOR		
	C 806	NCB31HK-103X	C CAPACITOR				C 967	QERF1CM-226Z	E CAPACITOR	22MF 20% 16V	
	C 807	NCB31HK-103X	C CAPACITOR				C 968	NCB31CK-104X	C CAPACITOR		
	C 808	QERF0JM-476Z	E CAPACITOR	47MF 20% 6.3V			C 969	QERF1CM-106Z	E CAPACITOR	10MF 20% 16V	
	C 809	QERF0JM-476Z	E CAPACITOR	47MF 20% 6.3V			C 971	QERF1CM-226Z	E CAPACITOR	22MF 20% 16V	
	C 811	NCS31HJ-121X	C CAPACITOR				C 972	NCB31CK-104X	C CAPACITOR		
	C 812	NCS31HJ-821X	C CAPACITOR				C 973	NCB31CK-104X	C CAPACITOR		
	C 814	NBE21AM-475X	TS E CAPACITOR				C 977	QERF1CM-476Z	E CAPACITOR	47MF 20% 16V	
	C 815	NCB31HK-103X	C CAPACITOR				C 978	QERF0JM-476Z	E CAPACITOR	47MF 20% 6.3V	
	C 816	QERF1CM-106Z	E CAPACITOR	10MF 20% 16V			C 982	QERF1CM-106Z	E CAPACITOR	10MF 20% 16V	
	C 817	NCS31HJ-101X	C.CAPA. C.M				C 990	NCS31HJ-101X	C.CAPA. C.M		
	C 818	NCS31HJ-101X	C.CAPA. C.M				C 991	NCS31HJ-101X	C.CAPA. C.M		
	C 819	NCS31HJ-101X	C.CAPA. C.M				C 992	NCS31HJ-101X	C.CAPA. C.M		
	C 820	QERF0JM-476Z	E CAPACITOR	47MF 20% 6.3V			C 993	NCS31HJ-101X	C.CAPA. C.M		
	C 821	NCS31HJ-121X	C CAPACITOR				C 994	NCB31HK-102X	C CAPACITOR		
	C 822	NCS31HJ-821X	C CAPACITOR				C 995	NCB31HK-102X	C CAPACITOR		
	C 824	NBE21AM-475X	TS E CAPACITOR				C 996	NCS31HJ-101X	C.CAPA. C.M		
	C 825	NCB31HK-103X	C CAPACITOR				C 997	NCS31HJ-101X	C.CAPA. C.M		
	C 826	QERF1CM-106Z	E CAPACITOR	10MF 20% 16V			C 998	NCS31HJ-101X	C.CAPA. C.M		
	C 841	NCF31CZ-104X	C CAPACITOR				CN301	QGA2501C1-07	7P CONNECTOR		
	C 852	NCF21CZ-105X	C CAPACITOR				CN302	QGA2501C1-06	6P CONNECTOR		
	C 853	NCF21CZ-105X	C CAPACITOR				CN601	QGB2027M2-26X	CONNECTOR		

■ Electrical parts list (Main board)

Block No. 01

△	Item	Parts number	Parts name	Remarks	Area
	CN701	QGF0503F3-07X	CONNECTOR		
	CN702	QGF1034C1-20X	CONNECTOR		
	CN703	QGA2501F1-02	CONNECTOR		
	CN705	QGA2006C1-02	CONNECTOR		
	CN771	QNZ0095-001	CONNECTOR		
	CN901	QNZ0090-001	CAR CONNECTOR		
	D 1	1SS355-X	DIODE C.M		
	D 2	1SS355-X	DIODE C.M		
	D 11	MA152WK-X	SI DIODE		
	D 111	MA152WK-X	SI DIODE		
	D 131	MA152WA-X	DIODE		
	D 161	1SS355-X	DIODE C.M		
	D 162	1SS355-X	DIODE C.M		
	D 231	MA152WA-X	DIODE		
	D 332	MA152WK-X	SI DIODE		
	D 402	CRS03-W	SB DIODE		
	D 404	CRS03-W	SB DIODE		
	D 406	CRS03-W	SB DIODE		
	D 408	CRS03-W	SB DIODE		
	D 410	CRS03-W	SB DIODE		
	D 412	CRS03-W	SB DIODE		
	D 414	CRS03-W	SB DIODE		
	D 416	CRS03-W	SB DIODE		
	D 701	CRS03-W	SB DIODE		
	D 702	1SS355-X	DIODE C.M		
	D 711	1SS355-X	DIODE C.M		
	D 721	UDZS6.2B-X	SI DIODE		
	D 722	UDZS6.2B-X	SI DIODE		
	D 723	UDZS6.2B-X	SI DIODE		
	D 724	UDZS6.2B-X	SI DIODE		
	D 725	UDZS6.2B-X	SI DIODE		
	D 726	UDZS6.2B-X	SI DIODE		
	D 727	UDZS6.2B-X	SI DIODE		
	D 728	UDZS6.2B-X	SI DIODE		
	D 729	UDZS6.2B-X	SI DIODE		
	D 730	UDZS6.2B-X	SI DIODE		
	D 754	UDZS6.2B-X	SI DIODE		
	D 795	SML-310FT/JKL/X	LED		
	D 796	SML-310FT/JKL/X	LED		
	D 825	EDZ5.1B-X	Z DIODE		
	D 941	1SS355-X	DIODE C.M		
	D 942	1SS355-X	DIODE C.M		
△	D 961	1N5404-TU-15	DIODE		
	D 962	CRS03-W	SB DIODE		
	D 963	1SS355-X	DIODE C.M		
	D 964	CRS03-W	SB DIODE		
	D 967	CRS03-W	SB DIODE		
	D 978	UDZ11B-X	Z.DIODE		
	D 980	1SS355-X	DIODE C.M		
	IC171	NJM4565V-X	IC		
	IC301	BA3220FV-X	IC		
	IC322	BU4066BCFV-X	IC		
	IC323	NJM4565V-X	IC		
	IC401	BA3220FV-X	IC		
△	IC601	LC895199K-ND2	IC		
	IC602	IS41C16256-35T	IC		
	IC603	UPD63711AGC	IC		
△	IC604	M63008FP-X	IC		
	IC605	TC74VHC126FT-X	IC		
	IC606	UPD703031AGC015	IC		
	IC608	LB1830M-X	IC		
	IC701	UPD784215AGC159	IC		
	IC702	IC-PST9333U-X	IC		

△	Item	Parts number	Parts name	Remarks	Area
	IC703	BR24C16F-X	IC		
	IC771	TC74VHC126FT-X	IC		
	IC801	NJM4580V-X	IC		
	IC802	PCM1716E-X	IC		
	IC803	TC74VHC157FT-X	IC		
	IC804	S-81332HG-KC-X	IC		
△	IC805	TC7WU04FU-X	IC		
	IC806	MAS3507D-QG-G10	IC(MICRO C ROM)		
	IC911	M61508FP-X	IC		
△	IC941	TA8273H	IC		
	IC951	NJM4565V-X	IC		
	IC961	HA13164	IC		
	J 1	QAM0105-002	CAR CABLE		
	L 1	NQL334J-4R7X	INDUCTOR		
	L 601	NQR0007-003X	FERRITE BEADS		
	L 606	NQL114K-470X	INDUCTOR		
	L 622	NQL56CK-220X	INDUCTOR		
	L 701	NQL114K-470X	INDUCTOR		
	L 783	NQL013K-1R8X	CHIP INDUCTOR		
	L 784	NQL013K-1R8X	CHIP INDUCTOR		
	L 851	NQR0007-003X	FERRITE BEADS		
	L 852	NQR0007-003X	FERRITE BEADS		
	L 961	QQR1198-001	CHOKE COIL		
	PP 1	QZW0010-001	STYLE PIN		
	PP 2	QZW0010-001	STYLE PIN		
	Q 1	DTA114ESA-T	DIGITAL.TR TAPE		
	Q 11	2SB815/7/-X	TRANSISTOR		
	Q 12	UN2211-X	TRANSISTOR		
	Q 13	2SB709A/R/-X	TRANSISTOR		
	Q 131	2SD1048/6-7/-X	TRANSISTOR		
	Q 132	2SD1048/6-7/-X	TRANSISTOR		
	Q 161	2SD601A/R/-X	TRANSISTOR		
	Q 231	2SD1048/6-7/-X	TRANSISTOR		
	Q 232	2SD1048/6-7/-X	TRANSISTOR		
	Q 321	UN2211-X	TRANSISTOR		
	Q 322	UN2211-X	TRANSISTOR		
	Q 323	2SD1048/6-7/-X	TRANSISTOR		
	Q 636	2SB1197K/QR/-X	TRANSISTOR		
	Q 641	2SB1184/QR/-X	TRANSISTOR		
	Q 683	2SC4081/QR/-X	TRANSISTOR		
	Q 701	UN2211-X	TRANSISTOR		
	Q 755	UN2211-X	TRANSISTOR		
	Q 791	UN2211-X	TRANSISTOR		
	Q 941	UN2211-X	TRANSISTOR		
	Q 942	UN2215-X	TRANSISTOR		
	Q 965	UN2213-X	TRANSISTOR		
	Q 966	2SB709A/R/-X	TRANSISTOR		
	Q 977	UN2111-X	TRANSISTOR		
	Q 979	UN2111-X	TRANSISTOR		
	Q 983	2SD601A/R/-X	TRANSISTOR		
	R 1	NRSA63J-473X	MG RESISTOR		
	R 2	NRSA63J-393X	MG RESISTOR		
	R 3	NRSA63J-0R0X	M.G.RESISTOR		
	R 4	NRSA63J-330X	MG RESISTOR		
	R 6	NRSA63J-0R0X	M.G.RESISTOR		
	R 10	NRSA63J-220X	MG RESISTOR		
	R 11	NRSA63J-220X	MG RESISTOR		
	R 12	NRSA63J-473X	MG RESISTOR		
	R 13	NRSA63J-472X	MG RESISTOR		
	R 14	NRSA63J-473X	MG RESISTOR		
	R 15	NRSA63J-332X	MG RESISTOR		
	R 32	NRSA63J-0R0X	MG RESISTOR		
	R 34	NRSA63J-4R7X	MG RESISTOR		

■ Electrical parts list (Main board)

Block No. 01

△	Item	Parts number	Parts name	Remarks	Area	△	Item	Parts number	Parts name	Remarks	Area
	R 81	NRSA63J-822X	MG RESISTOR				R 304	NRSA63J-333X	MG RESISTOR		
	R 82	NRSA63J-682X	MG RESISTOR				R 305	NRSA63J-154X	MG RESISTOR		
	R 91	NRSA63J-822X	MG RESISTOR				R 325	NRSA63J-104X	MG RESISTOR		
	R 92	NRSA63J-682X	MG RESISTOR				R 327	NRSA63J-562X	MG RESISTOR		
	R 111	NRSA63J-224X	MG RESISTOR				R 328	NRSA63J-153X	MG RESISTOR		
	R 118	NRSA63J-332X	MG RESISTOR				R 329	NRSA63J-0R0X	MG RESISTOR		
	R 119	NRSA63J-473X	MG RESISTOR				R 330	NRSA63J-473X	MG RESISTOR		
	R 120	NRSA63J-104X	MG RESISTOR				R 331	NRSA63J-104X	MG RESISTOR		
	R 131	NRSA63J-222X	MG RESISTOR				R 332	NRSA63J-104X	MG RESISTOR		
	R 132	NRSA63J-222X	MG RESISTOR				R 333	NRSA63J-473X	MG RESISTOR		
	R 133	NRSA63J-0R0X	MG RESISTOR				R 334	NRSA63J-473X	MG RESISTOR		
	R 134	NRSA63J-0R0X	MG RESISTOR				R 335	NRSA63J-821X	MG RESISTOR		
	R 135	NRSA63J-101X	MG RESISTOR				R 336	NRSA63J-473X	MG RESISTOR		
	R 136	NRSA63J-101X	MG RESISTOR				R 337	NRSA63J-472X	MG RESISTOR		
	R 137	NRSA63J-102X	MG RESISTOR				R 338	NRSA63J-101X	MG RESISTOR		
	R 138	NRSA63J-102X	MG RESISTOR				R 339	NRSA63J-101X	MG RESISTOR		
	R 141	NRSA63J-473X	MG RESISTOR				R 340	NRSA63J-0R0X	MG RESISTOR		
	R 142	NRSA63J-473X	MG RESISTOR				R 341	NRSA63J-105X	MG RESISTOR		
	R 143	NRSA63J-823X	MG RESISTOR				R 342	NRSA63J-105X	MG RESISTOR		
	R 144	NRSA63J-823X	MG RESISTOR				R 343	NRSA63J-105X	MG RESISTOR		
	R 145	NRSA63J-124X	MG RESISTOR				R 344	NRSA63J-105X	MG RESISTOR		
	R 146	NRSA63J-124X	MG RESISTOR				R 351	NRSA63J-103X	MG RESISTOR		
	R 161	NRSA63J-473X	MG RESISTOR				R 352	NRSA63J-103X	MG RESISTOR		
	R 162	NRSA63J-123X	MG RESISTOR				R 401	NRSA63J-183X	MG RESISTOR		
	R 163	NRSA63J-184X	MG RESISTOR				R 402	NRSA63J-183X	MG RESISTOR		
	R 164	NRSA63J-223X	MG RESISTOR				R 403	NRSA63J-333X	MG RESISTOR		
	R 165	NRSA63J-391X	MG RESISTOR				R 404	NRSA63J-333X	MG RESISTOR		
	R 166	NRSA63J-102X	MG RESISTOR				R 405	NRSA63J-154X	MG RESISTOR		
	R 167	NRSA63J-274X	MG RESISTOR				R 601	NRSA63J-332X	MG RESISTOR		
	R 172	NRSA63J-104X	MG RESISTOR				R 602	NRSA63J-151X	MG RESISTOR		
	R 173	NRSA63J-103X	MG RESISTOR				R 603	NRSA63J-103X	MG RESISTOR		
	R 174	NRSA63J-103X	MG RESISTOR				R 604	NRSA63J-103X	MG RESISTOR		
	R 175	NRSA63J-822X	MG RESISTOR				R 605	NRSA63J-201X	MG RESISTOR		
	R 176	NRSA63J-822X	MG RESISTOR				R 606	NRSA63J-752X	MG RESISTOR		
	R 177	NRSA63J-102X	MG RESISTOR				R 607	NRSA63J-100X	MG RESISTOR		
	R 178	NRSA63J-471X	MG RESISTOR				R 608	NRSA63J-100X	MG RESISTOR		
	R 211	NRSA63J-224X	MG RESISTOR				R 609	NRSA63J-100X	MG RESISTOR		
	R 218	NRSA63J-332X	MG RESISTOR				R 610	NRSA63J-100X	MG RESISTOR		
	R 219	NRSA63J-473X	MG RESISTOR				R 611	NRSA63J-100X	MG RESISTOR		
	R 220	NRSA63J-104X	MG RESISTOR				R 612	NRSA63J-100X	MG RESISTOR		
	R 231	NRSA63J-222X	MG RESISTOR				R 613	NRSA63J-100X	MG RESISTOR		
	R 232	NRSA63J-222X	MG RESISTOR				R 615	NRSA63J-0R0X	MG RESISTOR		
	R 233	NRSA63J-0R0X	MG RESISTOR				R 618	NRSA63J-0R0X	MG RESISTOR		
	R 234	NRSA63J-0R0X	MG RESISTOR				R 619	NRSA63J-103X	MG RESISTOR		
	R 235	NRSA63J-101X	MG RESISTOR				R 620	NRSA63J-103X	MG RESISTOR		
	R 236	NRSA63J-101X	MG RESISTOR				R 621	NRSA63J-393X	MG RESISTOR		
	R 237	NRSA63J-102X	MG RESISTOR				R 623	NRSA63J-0R0X	MG RESISTOR		
	R 238	NRSA63J-102X	MG RESISTOR				R 624	NRSA63J-153X	MG RESISTOR		
	R 241	NRSA63J-473X	MG RESISTOR				R 625	NRSA63J-622X	MG RESISTOR		
	R 242	NRSA63J-473X	MG RESISTOR				R 626	NRSA63J-683X	MG RESISTOR		
	R 243	NRSA63J-823X	MG RESISTOR				R 627	NRSA63J-223X	MG RESISTOR		
	R 244	NRSA63J-823X	MG RESISTOR				R 628	NRSA63J-683X	MG RESISTOR		
	R 245	NRSA63J-124X	MG RESISTOR				R 629	NRSA63J-752X	MG RESISTOR		
	R 246	NRSA63J-124X	MG RESISTOR				R 630	NRSA63J-752X	MG RESISTOR		
	R 272	NRSA63J-104X	MG RESISTOR				R 631	NRSA63J-104X	MG RESISTOR		
	R 273	NRSA63J-103X	MG RESISTOR				R 632	NRSA63J-0R0X	MG RESISTOR		
	R 274	NRSA63J-103X	MG RESISTOR				R 633	NRSA63J-103X	MG RESISTOR		
	R 275	NRSA63J-822X	MG RESISTOR				R 634	NRSA63J-333X	MG RESISTOR		
	R 276	NRSA63J-822X	MG RESISTOR				R 635	NRSA63J-105X	MG RESISTOR		
	R 277	NRSA63J-102X	MG RESISTOR				R 636	NRSA63J-220X	MG RESISTOR		
	R 301	NRSA63J-183X	MG RESISTOR				R 637	NRSA63J-220X	MG RESISTOR		
	R 302	NRSA63J-183X	MG RESISTOR				R 638	NRSA63J-0R0X	MG RESISTOR		
	R 303	NRSA63J-333X	MG RESISTOR				R 639	NRSA63J-123X	MG RESISTOR		

■ Electrical parts list (Main board)

Block No. 01

△	Item	Parts number	Parts name	Remarks	Area
	R 640	NRSA63J-0R0X	MG RESISTOR		
	R 641	NRSA63J-103X	MG RESISTOR		
	R 642	NRSA63J-303X	MG RESISTOR		
	R 643	NRSA63J-0R0X	MG RESISTOR		
	R 644	NRSA63J-103X	MG RESISTOR		
	R 645	NRSA63J-103X	MG RESISTOR		
	R 646	NRSA63J-103X	MG RESISTOR		
	R 647	NRSA63J-103X	MG RESISTOR		
	R 648	NRSA63J-103X	MG RESISTOR		
	R 649	NRSA63J-103X	MG RESISTOR		
	R 650	NRSA63J-223X	MG RESISTOR		
	R 651	NRSA63J-104X	MG RESISTOR		
	R 652	NRSA63J-334X	MG RESISTOR		
	R 653	NRSA63J-101X	MG RESISTOR		
	R 654	NRSA63J-223X	MG RESISTOR		
	R 655	NRSA63J-104X	MG RESISTOR		
	R 656	NRSA63J-101X	MG RESISTOR		
	R 657	NRSA63J-334X	MG RESISTOR		
	R 658	NRSA63J-223X	MG RESISTOR		
	R 659	NRSA63J-103X	MG RESISTOR		
	R 660	NRSA63J-331X	MG RESISTOR		
	R 661	NRSA63J-104X	MG RESISTOR		
	R 662	NRSA63J-473X	MG RESISTOR		
	R 663	NRSA63J-103X	MG RESISTOR		
	R 664	NRSA63J-473X	MG RESISTOR		
	R 670	NRSA63J-104X	MG RESISTOR		
	R 676	NRSA63J-103X	MG RESISTOR		
	R 677	NRSA63J-0R0X	MG RESISTOR		
	R 678	NRSA63J-105X	MG RESISTOR		
	R 679	NRSA63J-103X	MG RESISTOR		
	R 680	NRSA63J-103X	MG RESISTOR		
	R 681	NRSA63J-103X	MG RESISTOR		
	R 682	NRSA63J-103X	MG RESISTOR		
	R 683	NRSA63J-103X	MG RESISTOR		
	R 684	NRSA63J-103X	MG RESISTOR		
	R 685	NRSA63J-103X	MG RESISTOR		
	R 686	NRSA63J-103X	MG RESISTOR		
	R 687	NRSA63J-223X	MG RESISTOR		
	R 688	NRSA63J-223X	MG RESISTOR		
	R 689	NRSA63J-223X	MG RESISTOR		
	R 690	NRSA63J-104X	MG RESISTOR		
	R 691	NRSA63J-473X	MG RESISTOR		
	R 693	NRSA63J-103X	MG RESISTOR		
	R 694	NRSA63J-103X	MG RESISTOR		
	R 695	NRSA63J-103X	MG RESISTOR		
	R 696	NRSA63J-103X	MG RESISTOR		
	R 701	NRSA63J-473X	MG RESISTOR		
	R 703	NRSA63J-104X	MG RESISTOR		
	R 705	NRSA63J-473X	MG RESISTOR		
	R 706	NRSA63J-222X	MG RESISTOR		
	R 707	NRSA63J-472X	MG RESISTOR		
	R 708	NRSA63J-472X	MG RESISTOR		
	R 709	NRSA63J-103X	MG RESISTOR		
	R 710	NRSA63J-103X	MG RESISTOR		
	R 711	NRSA63J-103X	MG RESISTOR		
	R 714	NRSA63J-103X	MG RESISTOR		
	R 715	NRSA63J-472X	MG RESISTOR		
	R 716	NRSA63J-472X	MG RESISTOR		
	R 717	NRSA63J-472X	MG RESISTOR		
	R 718	NRSA63J-222X	MG RESISTOR		
	R 719	NRSA63J-222X	MG RESISTOR		
	R 720	NRSA63J-222X	MG RESISTOR		
	R 721	NRSA63J-103X	MG RESISTOR		

△	Item	Parts number	Parts name	Remarks	Area
	R 722	NRSA63J-103X	MG RESISTOR		
	R 723	NRSA63J-102X	MG RESISTOR		
	R 724	NRSA63J-271X	MG RESISTOR		
	R 725	NRSA63J-271X	MG RESISTOR		
	R 728	NRSA63J-104X	MG RESISTOR		
	R 729	NRSA63J-103X	MG RESISTOR		
	R 730	NRSA63J-104X	MG RESISTOR		
	R 731	NRSA63J-104X	MG RESISTOR		
	R 732	NRSA63J-104X	MG RESISTOR		
	R 733	NRSA63J-104X	MG RESISTOR		
	R 734	NRSA63J-104X	MG RESISTOR		
	R 735	NRSA63J-104X	MG RESISTOR		
	R 737	NRSA63J-473X	MG RESISTOR		
	R 738	NRSA63J-103X	MG RESISTOR		
	R 739	NRSA63J-473X	MG RESISTOR		
	R 745	NRSA63J-103X	MG RESISTOR		
	R 746	NRSA63J-103X	MG RESISTOR		
	R 751	NRSA63J-106X	MG RESISTOR		
	R 754	NRSA63J-102X	MG RESISTOR		
	R 755	NRSA63J-821X	MG RESISTOR		
	R 757	NRSA63J-103X	MG RESISTOR		
	R 758	NRSA63J-103X	MG RESISTOR		
	R 759	NRSA63J-0R0X	MG RESISTOR		
	R 761	NRSA63J-222X	MG RESISTOR		
	R 762	NRSA63J-222X	MG RESISTOR		
	R 763	NRSA63J-222X	MG RESISTOR		
	R 764	NRSA63J-222X	MG RESISTOR		
	R 765	NRSA63J-222X	MG RESISTOR		
	R 766	NRSA63J-222X	MG RESISTOR		
	R 767	NRSA63J-473X	MG RESISTOR		
	R 768	NRSA63J-103X	MG RESISTOR		
	R 770	NRSA63J-103X	MG RESISTOR		
	R 772	NRSA63J-473X	MG RESISTOR		
	R 773	NRSA63J-223X	MG RESISTOR		
	R 774	NRSA63J-101X	MG RESISTOR		
	R 775	NRSA63J-103X	MG RESISTOR		
	R 776	NRSA63J-104X	MG RESISTOR		
	R 777	NRSA63J-223X	MG RESISTOR		
	R 778	NRSA63J-101X	MG RESISTOR		
	R 779	NRSA63J-473X	MG RESISTOR		
	R 780	NRSA63J-223X	MG RESISTOR		
	R 781	NRSA63J-331X	MG RESISTOR		
	R 782	NRSA63J-104X	MG RESISTOR		
	R 791	NRSA02J-392X	MG RESISTOR		
	R 792	NRSA02J-392X	MG RESISTOR		
	R 793	NRSA02J-392X	MG RESISTOR		
	R 794	NRSA02J-392X	MG RESISTOR		
	R 795	NRSA02J-562X	MG RESISTOR		
	R 796	NRSA02J-472X	MG RESISTOR		
	R 797	NRSA02J-102X	MG RESISTOR	LED	
	R 798	NRSA02J-102X	MG RESISTOR	LED	
	R 801	NRSA63J-0R0X	MG RESISTOR		
	R 802	NRSA63J-0R0X	MG RESISTOR		
	R 803	NRSA63J-0R0X	MG RESISTOR		
	R 810	NRSA63J-0R0X	MG RESISTOR		
	R 811	NRSA63J-333X	MG RESISTOR		
	R 812	NRSA63J-123X	MG RESISTOR		
	R 813	NRSA63J-272X	MG RESISTOR		
	R 814	NRSA63J-223X	MG RESISTOR		
	R 815	NRSA63J-223X	MG RESISTOR		
	R 816	NRSA63J-223X	MG RESISTOR		
	R 817	NRSA63J-153X	MG RESISTOR		
	R 821	NRSA63J-333X	MG RESISTOR		

■ Electrical parts list(Main board)

Block No. 01

△	Item	Parts number	Parts name	Remarks	Area
	R 822	NRSA63J-123X	MG RESISTOR		
	R 823	NRSA63J-272X	MG RESISTOR		
	R 824	NRSA63J-223X	MG RESISTOR		
	R 825	NRSA63J-223X	MG RESISTOR		
	R 826	NRSA63J-223X	MG RESISTOR		
	R 827	NRSA63J-153X	MG RESISTOR		
	R 830	NRSA63J-470X	MG RESISTOR		
	R 831	NRSA63J-470X	MG RESISTOR		
	R 832	NRSA63J-470X	MG RESISTOR		
	R 833	NRSA63J-101X	MG RESISTOR		
	R 834	NRSA63J-101X	MG RESISTOR		
	R 835	NRSA63J-101X	MG RESISTOR		
	R 836	NRSA63J-332X	MG RESISTOR		
	R 837	NRSA63J-332X	MG RESISTOR		
	R 838	NRSA63J-0R0X	MG RESISTOR		
	R 839	NRSA63J-0R0X	MG RESISTOR		
	R 840	NRSA63J-103X	MG RESISTOR		
	R 841	NRSA63J-0R0X	MG RESISTOR		
	R 842	NRSA63J-0R0X	MG RESISTOR		
	R 843	NRSA63J-0R0X	MG RESISTOR		
	R 844	NRSA63J-0R0X	MG RESISTOR		
	R 845	NRSA63J-102X	MG RESISTOR		
	R 852	NRSA63J-100X	MG RESISTOR		
	R 853	NRSA63J-100X	MG RESISTOR		
	R 859	NRSA63J-471X	MG RESISTOR		
	R 860	NRSA63J-105X	MG RESISTOR		
	R 861	NRSA63J-103X	MG RESISTOR		
	R 862	NRSA63J-103X	MG RESISTOR		
	R 863	NRSA63J-103X	MG RESISTOR		
	R 864	NRSA63J-103X	MG RESISTOR		
	R 865	NRSA63J-103X	MG RESISTOR		
	R 866	NRSA63J-103X	MG RESISTOR		
	R 867	NRSA63J-103X	MG RESISTOR		
	R 868	NRSA63J-103X	MG RESISTOR		
	R 869	NRSA63J-103X	MG RESISTOR		
	R 870	NRSA63J-103X	MG RESISTOR		
	R 871	NRSA63J-103X	MG RESISTOR		
	R 872	NRSA63J-103X	MG RESISTOR		
	R 874	NRSA63J-103X	MG RESISTOR		
	R 876	NRSA63J-100X	MG RESISTOR		
	R 911	NRSA63J-222X	MG RESISTOR		
	R 912	NRSA63J-222X	MG RESISTOR		
	R 913	NRSA63J-100X	MG RESISTOR		
	R 922	NRSA63J-271X	MG RESISTOR		
	R 923	NRSA63J-271X	MG RESISTOR		
	R 924	NRSA63J-271X	MG RESISTOR		
	R 925	NRSA63J-271X	MG RESISTOR		
	R 926	NRSA63J-271X	MG RESISTOR		
	R 927	NRSA63J-271X	MG RESISTOR		
	R 928	NRSA63J-271X	MG RESISTOR		
	R 929	NRSA63J-271X	MG RESISTOR		
	R 930	NRSA63J-271X	MG RESISTOR		
	R 931	NRSA63J-102X	MG RESISTOR		
	R 932	NRSA63J-102X	MG RESISTOR		
	R 933	NRSA63J-102X	MG RESISTOR		
	R 941	NRSA63J-222X	MG RESISTOR		
	R 943	NRSA63J-102X	MG RESISTOR		
	R 944	NRSA63J-273X	MG RESISTOR		
	R 951	NRSA63J-103X	MG RESISTOR		
	R 954	NRSA63J-103X	MG RESISTOR		
	R 961	QRE142J-102X	C RESISTOR	1.0K 5% 1/4W	
	R 962	NRSA63J-912X	MG RESISTOR		
	R 963	NRSA63J-472X	MG RESISTOR		

△	Item	Parts number	Parts name	Remarks	Area
	R 965	NRSA63J-0R0X	MG RESISTOR		
	R 968	NRSA63J-102X	MG RESISTOR		
	R 970	NRSA63J-333X	MG RESISTOR		
	R 971	NRSA63J-104X	MG RESISTOR		
	R 975	NRSA63J-562X	MG RESISTOR		
	R 976	NRS181J-222X	MG RESISTOR		
	R 977	NRS181J-222X	MG RESISTOR		
	R 978	NRSA63J-104X	MG RESISTOR		
	R 984	NRSA63J-473X	MG RESISTOR		
	R 985	NRSA63J-103X	MG RESISTOR		
	R 990	NRSA63J-471X	MG RESISTOR		
	R 991	NRSA63J-471X	MG RESISTOR		
	R 998	NRSA63J-0R0X	MG RESISTOR		
	R 999	NRSA63J-102X	MG RESISTOR		
	TH951	NAD0028-103X	N THERMISTOR		
△	TU 1	QAU0204-001	TUNER PACK		
	X 601	QAX0599-002Z	CRYSTAL		
	X 602	QAX0659-001Z	CRYSTAL		
	X 603	QAX0413-001Z	CRYSTAL		
	X 701	QAX0617-001Z	CRYSTAL		
	X 702	QAX0401-001	CRYSTAL		
	X 801	QAX0660-001Z	CRYSTAL		

■ Electrical parts list (Front board)

Block No. 02

△	Item	Parts number	Parts name	Remarks	Area
	C 561	NBE20JM-475X	TS E CAPACITOR		
	C 571	NCB31CK-104X	C CAPACITOR		
	C 582	NCB31CK-104X	C CAPACITOR		
	C 583	NCB31CK-104X	C CAPACITOR		
	C 584	NCB31CK-104X	C CAPACITOR		
	C 585	NBE21CM-475X	TA.E.CAPA. C.M		
	C 586	NCB31HK-681X	C CAPACITOR		
	C 587	NBE20JM-475X	TS E CAPACITOR		
	C 588	NBE20JM-475X	TS E CAPACITOR		
	C 595	NCB31HK-472X	C CAPACITOR		
	C 596	NCB31HK-472X	C CAPACITOR		
	C 597	NCB31HK-472X	C CAPACITOR		
	CN501	QGZ2201L1-16	CONNECTOR		
	CN503	QGA1501F2-03W	CONNECTOR C.M		
	CN504	QGF0503F3-07X	CONNECTOR		
	CN505	QGF1013F1-20X	CONNECTOR		
	CN511	QGZ2201M1-16	CONNECTOR		
	CN512	WJT0056-001A	E-CARD WIRE		
	CN513	WJK0017-001A	ASSY WIRE		
	D 501	SML-310LT/MN/-X	LED		
	D 502	SML-310LT/MN/-X	LED		
	D 503	SML-310LT/MN/-X	LED		
	D 504	SML-310LT/MN/-X	LED		
	D 505	SML-310LT/MN/-X	LED		
	D 506	SML-310LT/MN/-X	LED		
	D 507	SML-310LT/MN/-X	LED		
	D 508	SML-310LT/MN/-X	LED		
	D 510	SML-310LT/MN/-X	LED		
	D 511	SML-310LT/MN/-X	LED		
	D 512	SML-310LT/MN/-X	LED		
	D 513	SML-310LT/MN/-X	LED		
	D 514	SML-310LT/MN/-X	LED		
	D 515	SML-310LT/MN/-X	LED		
	D 516	SML-310LT/MN/-X	LED		
	D 517	SML-310LT/MN/-X	LED		
	D 518	CL-190UB-X-X	LED		
	D 519	CL-190UB-X-X	LED		
	D 520	SML-310LT/MN/-X	LED		
	D 540	MA152WK-X	SI DIODE		
	D 541	NSPW310BS/BRS/	LED		
	D 542	NSPW310BS/BRS/	LED		
	D 543	NSPW310BS/BRS/	LED		
	D 571	1PS226-X	CHIP DIODE C.M		
	D 572	1PS226-X	CHIP DIODE C.M		
	D 573	1PS226-X	CHIP DIODE C.M		
	D 574	1SS355-X	DIODE C.M		
	D 575	UDZS5.1B-X	Z DIODE		
	D 581	RSA6.1EN-W	Z DIODE		
	D 582	RSA6.1EN-W	Z DIODE		
	D 583	UDZS6.2B-X	SI DIODE		
	D 592	UDZS6.2B-X	SI DIODE		
	EN591	QSW0915-001	ROTARY ENCODER		
	IC501	LC75878W	IC		
	IC561	RPM6938-SV4	IC		
	PJ501	QNS0145-001	3.5 JACK		
	Q 541	DTC114EKA-X	TRANSISTOR		
	Q 542	2SB815/7/-X	TRANSISTOR		
	R 501	NRSA63J-561X	MG RESISTOR		
	R 502	NRSA63J-681X	MG RESISTOR		
	R 503	NRSA63J-102X	MG RESISTOR		
	R 504	NRSA63J-122X	MG RESISTOR		
	R 505	NRSA63J-182X	MG RESISTOR		
	R 506	NRSA63J-272X	MG RESISTOR		

△	Item	Parts number	Parts name	Remarks	Area
	R 507	NRSA63J-472X	MG RESISTOR		
	R 508	NRSA63J-103X	MG RESISTOR		
	R 509	NRSA63J-561X	MG RESISTOR		
	R 510	NRSA63J-681X	MG RESISTOR		
	R 511	NRSA63J-102X	MG RESISTOR		
	R 512	NRSA63J-122X	MG RESISTOR		
	R 513	NRSA63J-182X	MG RESISTOR		
	R 514	NRSA63J-272X	MG RESISTOR		
	R 515	NRSA63J-472X	MG RESISTOR		
	R 521	NRSA63J-222X	MG RESISTOR		
	R 522	NRSA63J-122X	MG RESISTOR		
	R 523	NRSA63J-122X	MG RESISTOR		
	R 524	NRSA63J-122X	MG RESISTOR		
	R 525	NRSA63J-182X	MG RESISTOR		
	R 526	NRSA63J-122X	MG RESISTOR		
	R 527	NRSA63J-122X	MG RESISTOR		
	R 528	NRSA63J-821X	MG RESISTOR		
	R 529	NRSA63J-222X	MG RESISTOR		
	R 531	NRSA63J-222X	MG RESISTOR		
	R 532	NRSA63J-122X	MG RESISTOR		
	R 533	NRSA63J-122X	MG RESISTOR		
	R 534	NRSA63J-122X	MG RESISTOR		
	R 535	NRSA63J-182X	MG RESISTOR		
	R 536	NRSA63J-122X	MG RESISTOR		
	R 537	NRSA63J-122X	MG RESISTOR		
	R 538	NRSA63J-821X	MG RESISTOR		
	R 539	NRSA63J-222X	MG RESISTOR		
	R 540	NRSA63J-332X	MG RESISTOR		
	R 541	NRSA63J-821X	MG RESISTOR		
	R 542	NRSA63J-821X	MG RESISTOR		
	R 543	NRSA63J-821X	MG RESISTOR		
	R 544	NRSA63J-561X	MG RESISTOR		
	R 545	NRSA63J-223X	MG RESISTOR		
	R 546	NRSA63J-222X	MG RESISTOR		
	R 547	NRSA63J-561X	MG RESISTOR		
	R 551	NRSA63J-821X	MG RESISTOR		
	R 552	NRSA63J-821X	MG RESISTOR		
	R 553	NRSA63J-821X	MG RESISTOR		
	R 561	NRSA63J-103X	MG RESISTOR		
	R 562	NRSA63J-470X	MG RESISTOR		
	R 563	NRSA63J-332X	MG RESISTOR		
	R 564	NRSA63J-332X	MG RESISTOR		
	R 565	NRSA63J-332X	MG RESISTOR		
	R 571	NRSA63J-471X	MG RESISTOR		
	R 572	NRSA63J-471X	MG RESISTOR		
	R 581	NRSA63J-102X	MG RESISTOR		
	R 582	NRSA63J-102X	MG RESISTOR		
	R 583	NRSA63J-102X	MG RESISTOR		
	R 586	NRSA63J-823X	MG RESISTOR		
	R 592	NRSA63J-473X	MG RESISTOR		
	R 593	NRSA63J-473X	MG RESISTOR		
	R 595	NRSA63J-473X	MG RESISTOR		
	R 596	NRSA63J-473X	MG RESISTOR		
	R 597	NRSA63J-223X	MG RESISTOR		
	S 501	NSW0066-001X	TACT SWITCH		
	S 502	NSW0066-001X	TACT SWITCH		
	S 503	NSW0066-001X	TACT SWITCH		
	S 504	NSW0066-001X	TACT SWITCH		
	S 505	NSW0066-001X	TACT SWITCH		
	S 506	NSW0066-001X	TACT SWITCH		
	S 507	NSW0066-001X	TACT SWITCH		
	S 508	NSW0066-001X	TACT SWITCH		
	S 509	NSW0066-001X	TACT SWITCH		

■ Electrical parts list (Front board)

Block No. 02

△	Item	Parts number	Parts name	Remarks	Area
	S 510	NSW0066-001X	TACT SWITCH		
	S 511	NSW0066-001X	TACT SWITCH		
	S 512	NSW0066-001X	TACT SWITCH		
	S 513	NSW0066-001X	TACT SWITCH		
	S 514	NSW0066-001X	TACT SWITCH		
	S 515	NSW0066-001X	TACT SWITCH		
	S 516	NSW0066-001X	TACT SWITCH		
	S 517	NSW0066-001X	TACT SWITCH		
	S 518	NSW0066-001X	TACT SWITCH		
	S 591	NSW0146-001X	DETECT SW		
	S 592	NSW0146-001X	DETECT SW		
	S 593	NSW0146-001X	DETECT SW		
	S 594	NSW0146-001X	DETECT SW		
	S 595	NSW0146-001X	DETECT SW		
	S 596	NSW0146-001X	DETECT SW		

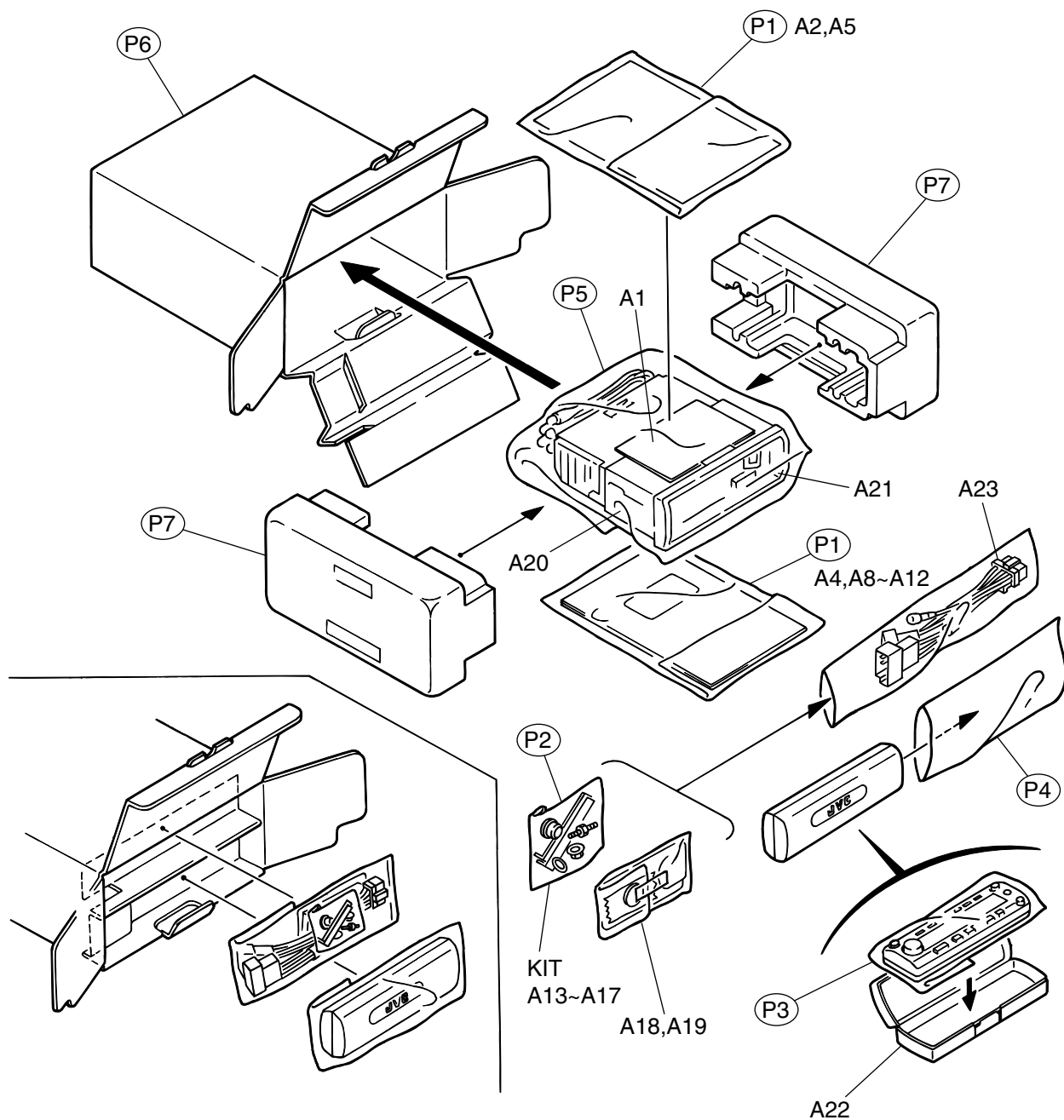
Packing materials and accessories parts list

Block No.

M	3	M	M
---	---	---	---

Block No.

M	4	M	M
---	---	---	---



■ Parts list (Packing)

Block No. M3MM

△	Item	Parts number	Parts name	Q'ty	Description	Area
	P 1	QPA01703505P	POLY BAG	2		
	P 2	QPA00801205	POLY BAG	1		
	P 3	QPC01002315	POLY BAG	1		
	P 4	QPA01003003	POLY BAG	1		
	P 5	VPE3005-066	POLY BAG	1	SET	
	P 6	LV32616-001A	CARTON	1		
	P 7	LV10466-001A	CUSHION	2		

■ Parts list (Accessories)

Block No. M4MM

△	Item	Parts number	Parts name	Q'ty	Description	Area
	A 1	LV41417-001A	CAUTION	1		
	A 2	LVT0661-001A	INST BOOK	1	ENG SPA FRE	
		LVT0654-001A	INST BOOK	1	ENG SPA FRE	
	A 4	LVT0717-001A	TROUBLE SHEET	1		
	A 5	LVT0732-001A	CAUTION SHEET	1		
	A 8	LV42487-001A	CAUTION SHEET	1		
	A 9	BT-51018-3	WARRANTY CARD	1		
	A 10	BT-51020-2	J=REGIST CARD	1		
	A 11	BT-52004-2	WARRANTY CARD	1		
	A 12	BT-20071B-S	JVC CENTER LIST	1		
	A 13	VKZ4027-202	PLUG NUT	1		
	A 14	VKH4871-001SS	MOUNT BOLT	1		
	A 15	VKZ4328-001	LOCK NUT	1		
	A 16	WNS5000Z	WASHER	1		
	A 17	FSKL4010-002	HOOK	2		
	A 18	RM-RK100	REMOCON	1		
	A 19	QAB0014-001	BATTERY	1		
	A 20	FSKM2004-003	MOUNTING SLEEVE	1		
	A 21	LV20938-002A	TRIM PLATE	1		
	A 22	LV32577-001A	HARD CASE ASSY	1		
	A 23	QAM0066-002	CAR CABLE	1		
	KIT	KDGS717K-SCREW1	SCREW PARTS KIT	1	A13-A17 P2	